

MRT PRIVILEGE +

The 360° HANDLING solution



 **MANITOU**

www.manitou.com

Rock-solid efficiency



CONTENTS // **7 GOOD REASONS FOR CHOOSING AN MRT Privilege**

“I can accomplish handling operations in all sorts of conditions”

1	Triple performance	: p 4	5	Total safety	: p 16
2	Optimum control	: p 6	6	Maintenance and services	: p 18
3	Complete stability	: p 10	7	Choice of 3 models	: p 20
4	Power and precision	: p 14			



MRT 1850 +



MRT 2150 +
MRT-X 2150 +



MRT 2540 +
MRT-X 2540 +



MRT PRIVILEGE + Three 360° models up to 25 m.
Find out more in the technical section

Note: MRT / MRT-X available depending on the geographical area and the legislation in force.

Triple performance



x 1 telehandler

The MRT Privilège has impressive lifting height and reach capabilities through 360°. Its telescopic boom is ideally suited for precise control and efficient unloading and distribution. A maximum number of operations can be completed in minimum time from a fixed point. You control your productivity.

x 2 crane

The MRT Privilège is an all-terrain machine that combines practicality and performance. It is built to move and lift bulky and heavy loads. Regardless of whether the machine has stabilizers deployed or not, you can work in total safety on all terrain.

x 3 platform

Extend your elevating capabilities with the MRT Privilège: reach working heights in excess of 40 m. A choice of work platform, swing arm or 3D system offers increased flexibility in total safety

360° versatility

Recognition of accessories

The MRT Privilege is fitted, as standard, with a recognition system which identifies and analyses the accessory tool fitted, and assigns the appropriate work envelope, **Technology gives simplicity.**

WE CAN MEET YOUR SPECIAL REQUIREMENTS.

telehandler mode

Accessories

- **TILTING FORK CARRIAGE (FITTED AS STANDARD):** equipped with forks that meet the FEM classification (ISO2328), it suits all pallet load handling tasks. Options include: load backrest, fork extension, and side shift carriage.
- **FLOATING FORK CARRIAGE:** designed for working on uneven ground, its integrated backrest guarantees the stability of the load.
- **SKIPS:** ideal for bulk handling (sand, gravel and rubble), various versions are available to suit your applications.
- **OTHER ACCESSORIES:** lattice jibs, side shift carriages, concrete skips. Option: for improved ease when changing accessories, you can also use a hydraulic locking system.

crane mode

Accessories

- **JIBS:** with hook, short or swivelling models to choose from, you are sure to find the jib to meet your requirements for lifting, positioning or placing loads.
- **WINCH:** providing additional flexibility in crane mode, the single winch is positioned on a frame for transportation and storage on your worksites.
- **JIB WITH WINCH:** combines all the advantages of the winch and the jib. It will allow you to position your loads in places which are difficult to access.

platform mode

Accessories

- **STANDARD PLATFORM:** available in 365 kg or 1000 kg versions. Swivelling and extendable.
- **ROOFER'S PLATFORM:** patented by Manitou, allows you to work on roofs in total safety thanks to its opening front section.
- **« AERIAL JIB » PLATFORM:** with an extra telescopic rotating arm, it allows you to reach working heights of up to 41 m, or to work below wheel level (for working under bridges for example).
- **SPECIAL PLATFORM:** 3D platform or raised platform for working inside buildings.



“With the **MRT Privilege**, **worksites** constraints are no longer an obstacle”

// Triple Performance

Optimum control

Intuitive handling

The MRT Privilege+ is simple to drive and control. You manipulate your load with precision thanks to the two electro-hydraulic joysticks fitted to the armrests. The joysticks are always within reach regardless of seat position.



Left
simultaneous control of telescope extension/
turret slewing/accessory control.



Right
simultaneous control of load lifting/
fork tilting.

2 joysticks
as standard
for simultaneous control of
all movements



4 memories
to store your speed
parameters

Storage of maximum movement speeds

According to the working situation and the type of work, you are able to store the maximum movement speeds of all activating parts of the jib. You store up to four sets of parameters: this allows you to maintain the safety of your movements.

Machine operation made easier

You can operate your MRT Privilege+ in complete confidence. Each joystick is equipped with a positive action position. All risk of involuntary movement is eliminated. The forward and reverse control is integrated with the right-hand joystick: your hands do not leave the wheel.



Remote control (optional)

You can control the machine from a distance as if you were in the cabin. You thus benefit from excellent visibility over your working environment. The remote control has a control screen which shows the state of the machine. This control unit can equally be used by you to work with your machine in platform mode.



“Inside or outside the cab, I **control** absolutely **everything**”

// Pilotage

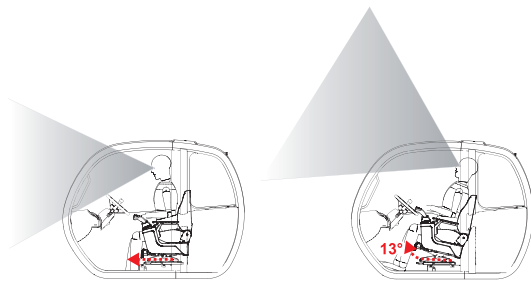
Optimum control



Cab ergonomics

The spacious MRT Privilege+ cab offers a comfortable control position with features such as a self-cleaning step, wide door for easier access, clear comprehensive dashboard and electric windows. **There is plenty of room for personal belongings, documents,** in the many large compartments provided in the cab. The cab can be adapted to your needs thanks to the adjustable height and angle of the steering wheel and adjustable, height and depth of the seat.

The tilting seat* guarantees a clear view of the load without sacrificing comfort.



Automatic parking brake

The battery-powered automatic parking brake provides **safety for your manoeuvres on all surfaces.**

Safety and comfort

Boom suspension* enhances on-road comfort and makes load shifting operations safer on rough ground.

Boom accuracy

Precision movements for perfect control of your handling operations. The pentagonal cross-section makes the telescopic boom more rigid and ensures that the components are guided perfectly. Lateral oscillation is considerably reduced.

* Optional equipment.

Cab safety

Your cab complies with ROPS/FOPS safety standards

Forward visibility

The contoured design of the windscreen provide a panoramic view through the upper part of the cab. Front, rear and roof wipers are fitted as standard for optimum visibility in wet weather.

Working precision

The camera guarantees the safety without compromise of the closest manoeuvres and allows you to work "blind". Lateral and rear cameras are also available to provide safety for your movements on site. They transmit directly to the main screen on the on-board control panel.



“undertake
precision work
with ease”

// Control



Complete stability

“ I can work in total **confidence** regardless of the **layout** of the worksite ”





Quick to position

Deploy the stabilizers simultaneously or individually at the simple flick of a switch in the cab. To reposition the machine on the site, simply raise the scissor system and move. **Increased efficiency.**

Modular stabilization surface

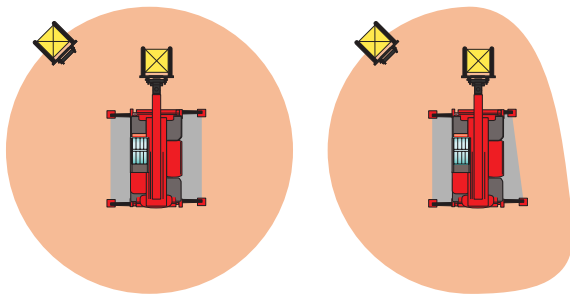
The stabilizers have a telescopic scissor design enabling the legs to be just partly deployed when obstacles are present or there is a lack of space. The machine's capacities are automatically adjusted in this configuration.

Optimum support

Enjoy excellent stability on all terrain. The scissor stabilizers form a square when fully deployed. This guarantees uniform stability irrespective of turret position. The pads have a large bearing surface - no need for additional chocks. **You save a considerable amount of time.**

Adaptable calculator

This item of equipment allows the driver to apply selectively one or more stabilisers. The calculator thus automatically chooses the charge weight which is most appropriate.



// Stabilization

Complete stability

Levelling system

Tackle rough or sloping terrain with ease. Simply push a lever to keep your load horizontal. The state of the terrain is no longer a concern.



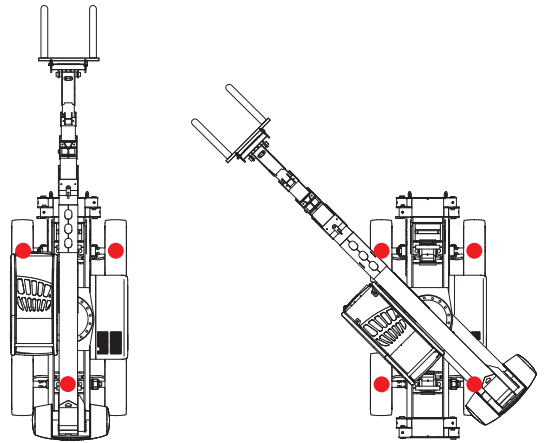
+/-8° level correction on the front axle

Compact arrangement

Lift your stabilizers in total confidence. When the pads are retracted, they are automatically integrated into the machine's body. No loss of ground clearance. The cylinders are fully protected.

Total safety on wheels

The MRT Privilege + is equipped with an automatic oscillating rear axle lock-out device. When the machine is standing on its wheels, if the turret is slewed by more than 7.5°, rear axle oscillation is locked out. You can work in total safety and retain maximum capacity.



Oscillating axle **lock-out** system for improved safety

“I stand **firmly** on
all types
of **terrain**”

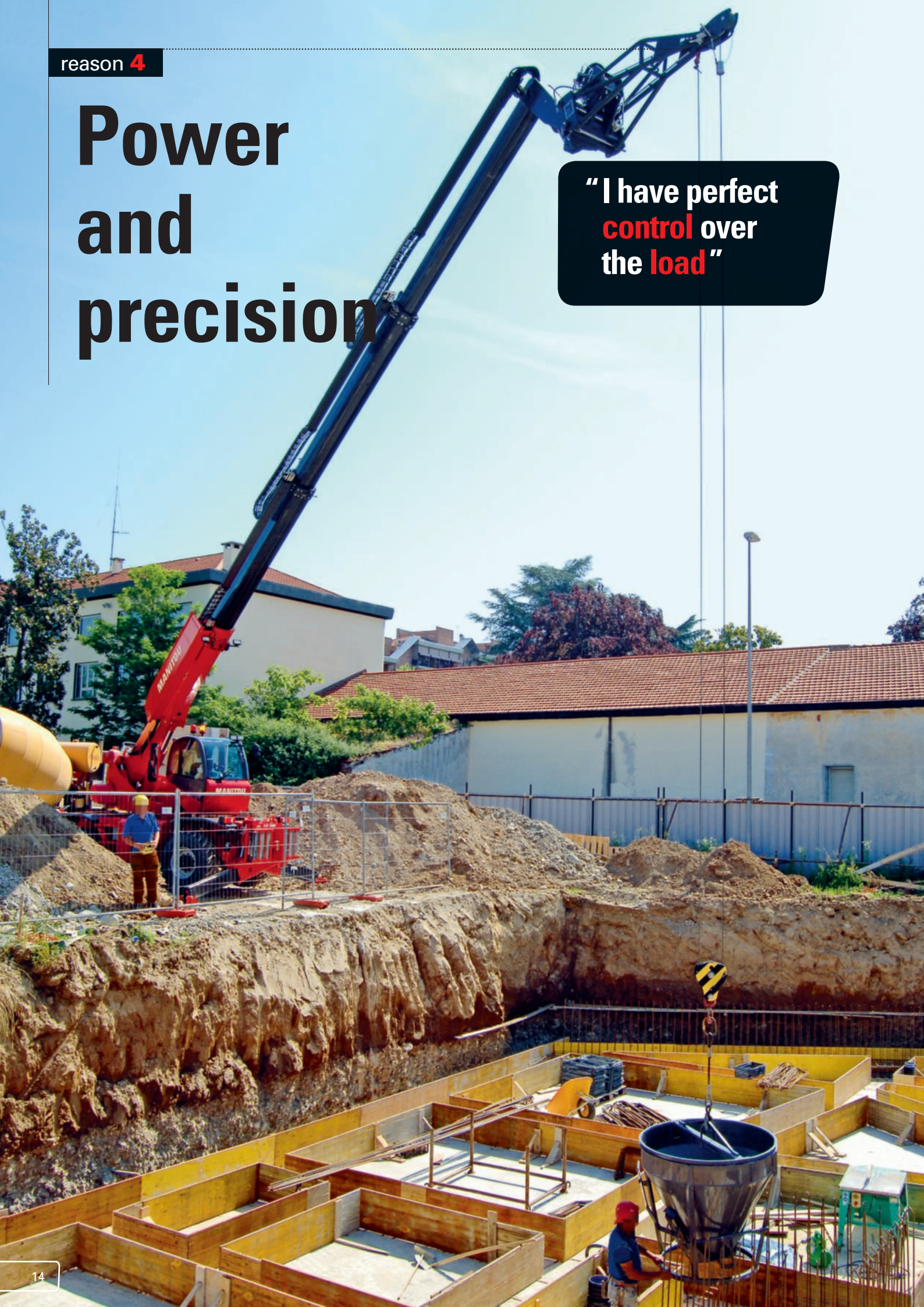
// Stabilization



reason 4

Power and precision

“I have perfect
control over
the **load**”



Transmission and traction

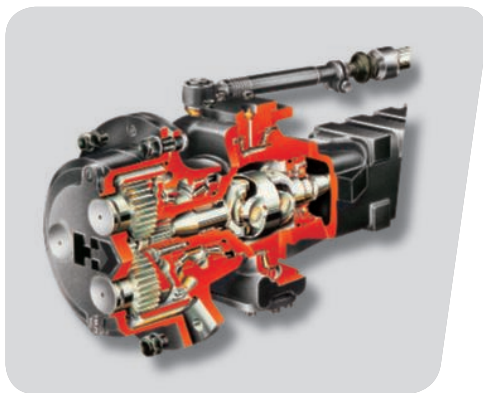
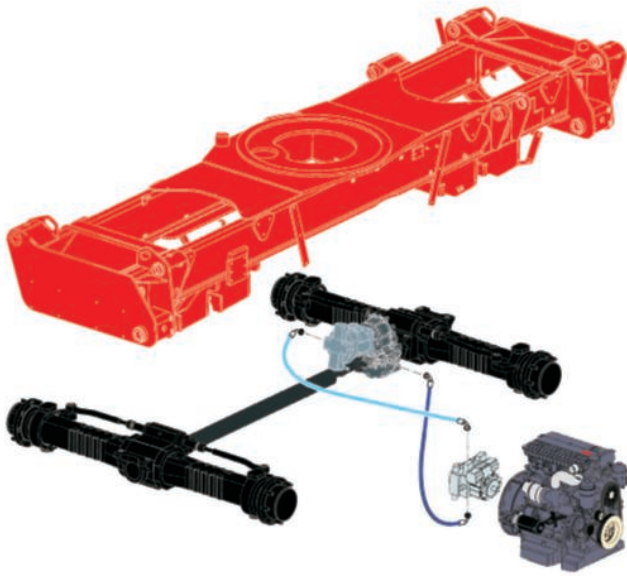
Safe operation on all terrain. The 4-wheel drive and oscillating rear axle provide **optimum ground adhesion**.

Hydrostatic transmission

The hydrostatic transmission coupled to a two speed gearbox allows you to adapt your speed and tractive force. This system offers **precise gradual operation** for load placement. Handling is smooth. Power is transmitted to the wheels via **heavy duty steering axles**, equipped with **epicyclic gears**.

Safe, reliable braking

Stop your machine precisely in all circumstances with the oil-bath multiple-disc brakes integrated into the axles. The braking capacity is balanced between the four wheels for maximum efficiency. A negative action hydraulic parking brake is also incorporated and **stops the machine under all circumstances**.



Hydrostatic transmission
for flexibility and ease of use

Ecological mode

This standard item allows you to reduce significantly the consumption of fuel during movements: the engine system adapts itself automatically to the needs of the transmission system.

Dual-energy system

The MRT Privilège+ can be optionally equipped with a dual-energy system. By adopting this solution, all operations previously limited by pollution and noise emissions from the diesel engine can now be performed, even inside buildings. To take advantage of the dual-energy system, the machine must firstly be stabilized and coupled up to an external electrical supply source. **The operator can then perform all handling operations** from the cab or with the radio-control. The operator can also benefit from the dual-energy mode from the platform basket.



Total safety

Auto-diagnosis

This program displays the state of the machine on the screen. In the event of a problem, this device switches to safe state and prevents all movements. The faulty component is displayed on the screen in order to minimize machine downtime.

Chain tension balancer

A feature to enhance the reliability and safety of your machine. With the balancing system, the tension is split equally between the chains. A hard-wired sensor system checks the state of the chains permanently. **You can work in total safety.**

In case of overload, all aggravating movements are **automatically cut out**

CEC system



Auto-diagnosis

This program displays the state of the machine on the screen. In the event of a problem, this device switches to safe state and prevents all movements. The faulty component is displayed on the screen in order to minimize machine downtime.



Restrictive working zone

To ensure the safety of your repeated handling movements in congested sites, you can limit the working zone, **thereby increasing safety.**



**"I don't take
any chances"**

// Safety



Simplified maintenance

// Maintenance

Simplified access to the principal components

Maintain your machine with ease. The engine positioned to the side of the chassis allows easy access from three sides. The air filter and battery are accessible through a hood at the rear of the chassis.

Optimized boom design

The use of high-strength alloy steel makes the boom both light and solid. Irrespective of whether they are hydraulically or chain-operated, the booms are designed to facilitate and minimize maintenance.

External hydraulic hoses

Make the most of fast support times and low costs. As the hoses are on the outside of the boom, they are quicker to access for maintenance.

Telescopic boom:

easier access to components



Electric circuit protection

Work for longer in all weathers. The entire electrical installation and all components (printed circuit boards, fuse boxes and connections) are rated IP67, ensuring that they are dust free and watertight.



MANITOU services

The proximity and availability you need

Give priority to your flexibility and competitiveness! You can rely on the support of the technical knowledge and advice of your local MANITOU dealer, not just when buying but throughout the life of your **MRT Privilege**. So that you can work under the best possible conditions, the MANITOU network undertakes to maintain a sustainable partnership and provide quality services through the MANITOU **Customer Service Quality Charter**.

The reactivity and technical expertise that you expect from a partner

Make the most of MRT Privilege technology over the long term! You can achieve the peace of mind of all MANITOU owners by entrusting the servicing and maintenance of your truck to our worldwide network of expert technicians, regularly trained in our product ranges.

Servicing or maintenance operations are carried out on site – just a phone call away and within the stated timescale.

According to your management organization, you can plan and spread your servicing and maintenance costs and benefit from our maintenance contract and/or extended warranty offers.

Made-to-measure financing to safeguard your budget

Plan the purchase of your MRT Privilege with peace of mind using MANITOU financing solutions*! You benefit from simple solutions suited to your needs and your business. If you are looking to invest quickly without compromising your cash flow, contact us for a customized approach that will take account of your situation.

* MANITOU FINANCE solutions available in certain countries.

Rapid delivery

MANITOU provides the shortest possible delivery times by computerizing the entire replacement part supply chain. Most parts orders placed before 4.30 p.m. are delivered the next day.

Saving you money in the long term

Beware of imitations! Other brands may sell replacement parts at attractive prices that lead you to believe that you are making substantial savings but, in actual fact, you are getting less value for money. **These adaptable parts rarely have the quality of the original specifications and have to be replaced more frequently,** costing you more in the long run!

Services



“It’s easy to maintain my MRT’s performance”

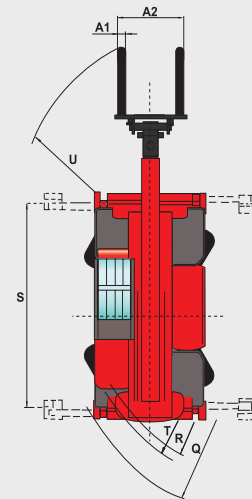
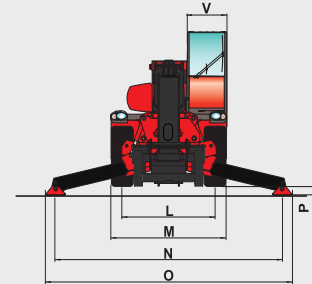
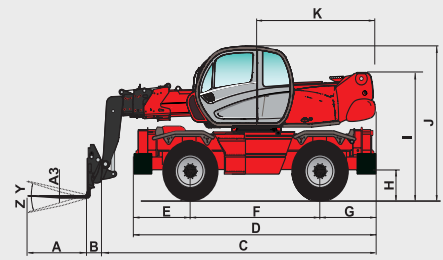
Choice of 3 models

"I choose the **model**
best suited
to my jobs"



MRT PRIVILEGE +

	MRT 1850 +	MRT 2150 +	MRT 2540 +
	-	MRT-X 2150 +	MRT-X 2540 +
Lifting capacity (on stabilizers) 500 mm from heel of forks	4999 kg	4999 kg	4000 kg
Lifting height	17.90 m	20.60 m	24.60 m
Tyres	445/65 R 22.5		
Forks (mm) Length x width x thickness	1200 x 150 x 50		
Braking	oil-bath multiple-disc brakes hydraulically assisted on both axles		
Service brakes	negative		
Engine	MERCEDES-BENZ		
Type	OM 904 LA (EURO 3)		
Capacity	4 cyl. - 4250 cm ³		
Power (ISO/TR 14396)	150 HP/110 kW		
Maximum torque	from 1200 to 1600 rpm: 580 Nm		
Cooling	water		
Injection	direct		
Transmission	hydrostatic with power regulation (variable-displacement pump and hydrostatic motor)		
Reversing shift	électromagnetic		
Number of gears (forward/reverse)	2/2		
Max. travel speed	36 km/h**		
Levelling system	on front axle +/- 8° (15%) oscillating rear axle with automatic hydraulic lock-out on rotation (+/- 7.5°)		
Suspension	-		
4 stabilizers	duplex telescopic simultaneously or individually controlled		
Full, continuous rotation	turret mounted on a double slew ring with internal gearing / slewing system with negative brake		
Hydraulics	Piston pump: variable displacement (load sensing) - Gear pump 160l/mn - 270 bar		
Controls	2 electro-hydraulic proportional control joysticks for all movements		
Capacities	Cooling system 18 l Engine oil 15 l Hydraulic oil 200 l Fuel tank 230 l		
Unladen weight (with forks)	15350 kg	16410 kg	17165 kg
Width overall	2.43 m		
Height overall	3.05 m		
Length overall	6.06 m	6.78 m	7.82 m
Ground clearance	0.38 m		
Drawbar pull	8200 daN		
Noise at driving position (LpA)	79.7 dB		
Environmental noise (LwA)	104 dB		
Vibration to whole hand/arm	< 2.5 m/s ²		
Safety	standard load moment indicator (mobile crane standard)		



mm	MRT 1850	MRT 2150	MRT 2540
A		1200	
A1		150	
A2		1320	
A3		50	
B		290	
C	5770	6490	7530
D		5050	
E		1155	
F		2750	
G		1155	
H		380	
I		2485	
J		3070	
K		2485	2985
K1	-	-	485
L		1930	
M		2425	
N		4700	
O		5100	
P		150	
Q		4500	
R		3800	
S		4550	
T		4040	
U	5640	6230	6700
V		950	
Y		12°	
Z		105°	

This brochure describes versions and configuration options for Manitou products which may be fitted with different equipment. The equipment described in this brochure may be standard, optional or not available depending on version. Manitou reserves the right to change the specifications shown and described at any time and without prior warning. The manufacturer is not liable for the specifications given. For more information, contact your Manitou dealer. Non-contractual document. Product descriptions may differ from actual products. List of specifications is not comprehensive. The logos and visual identity of the company are the property of Manitou and may not be used without authorisation. All rights reserved. The photos and diagrams contained in this brochure are provided for information only.
MANITOU BF SA - Limited company with board of directors - Share capital: 39,547,824 euros - 857 802 508 RCS Nantes



* Intermediate suspension position ± 78 mm
** Speed limit subject to local legislation.

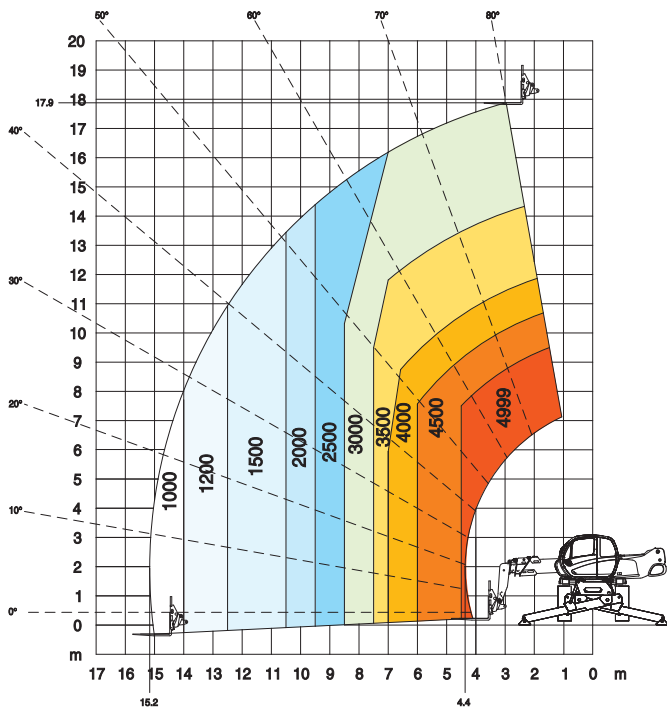
Note: MRT / MRT-X available depending on the geographical area and the legislation in force.

FT076FR_A_0413_MRT_P_PLUS

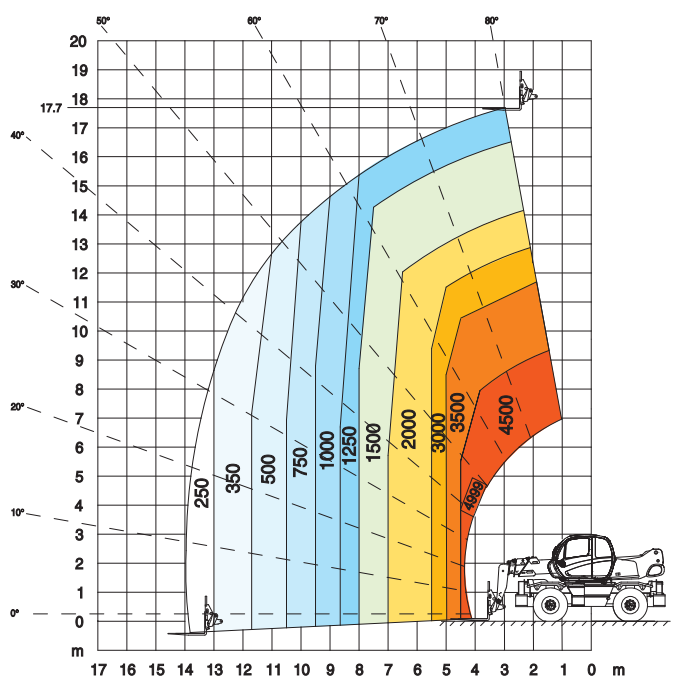
MRT 1850 + Privilege



Rotation on extended stabilizers
with **forks**



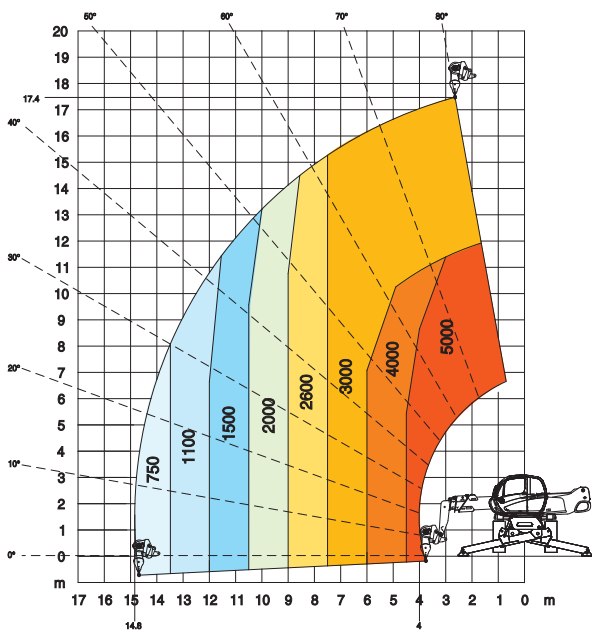
Frontal on wheels
with **forks**



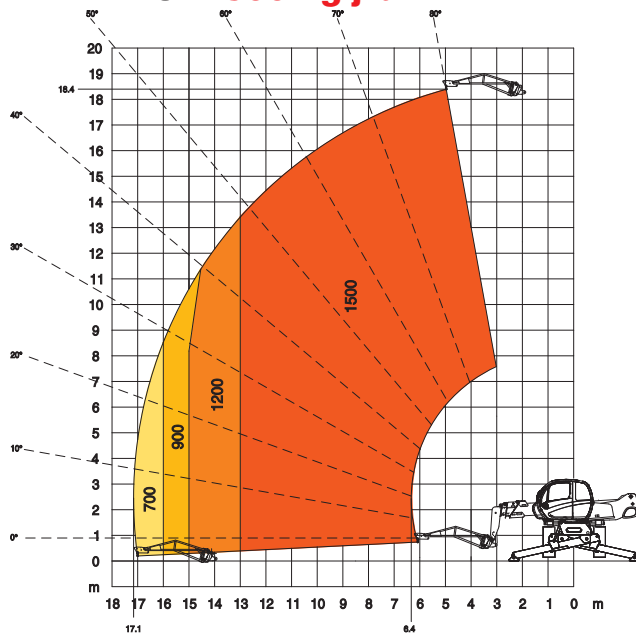
Rock-solid efficiency



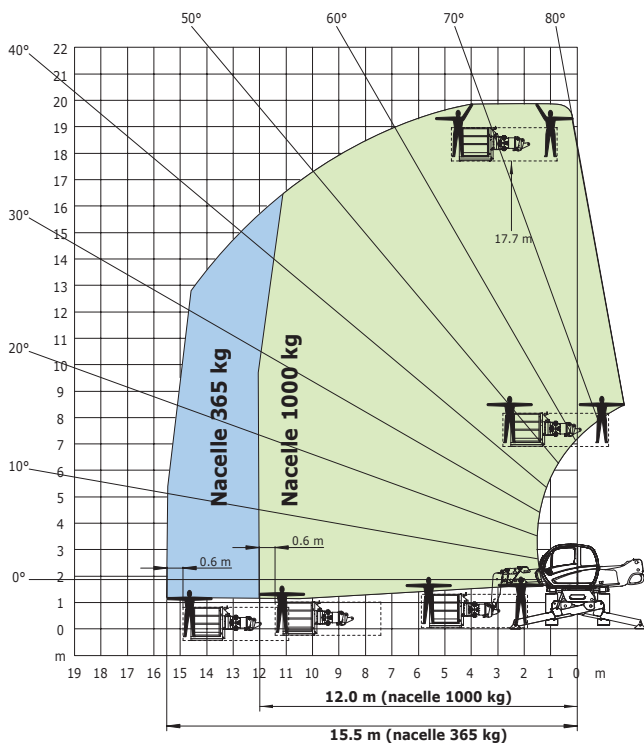
Rotation on extended stabilizers with **5000 kg winch**



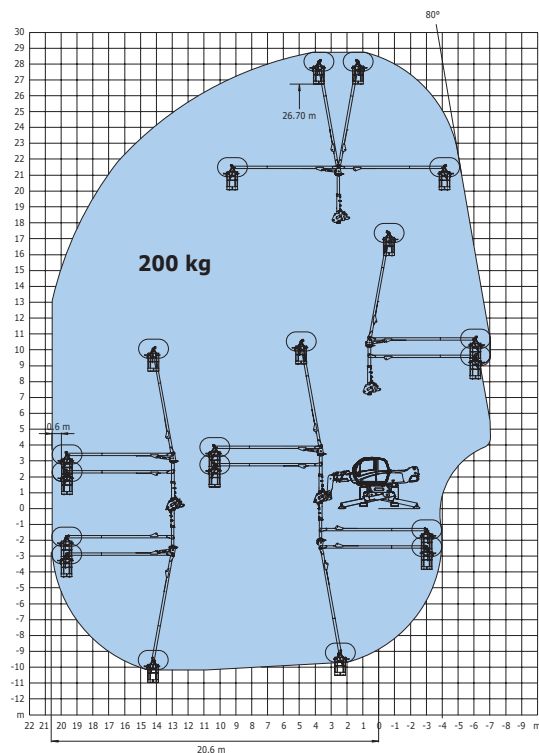
Rotation on extended stabilizers with **1500 kg jib**



Rotation on extended stabilizers with **365/1000 kg platform**



Rotation on extended stabilizers **3D positive/negative**

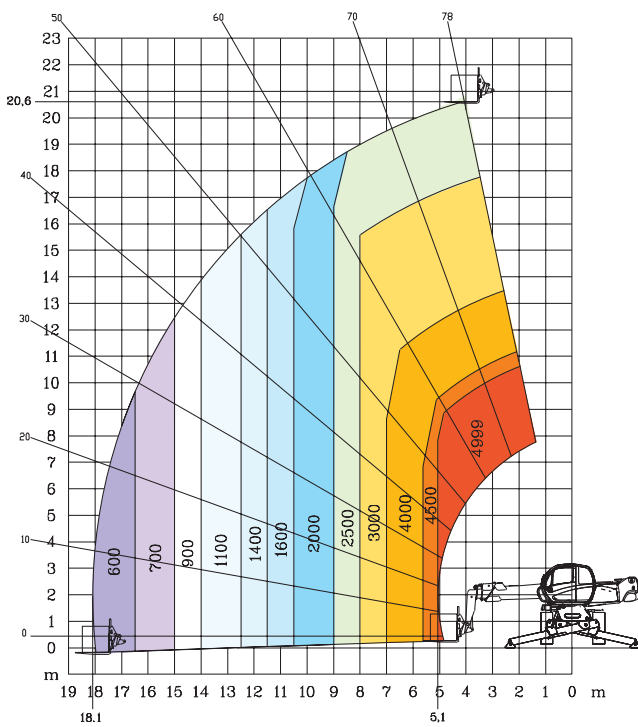


+ 1850 + MRT 1850 +

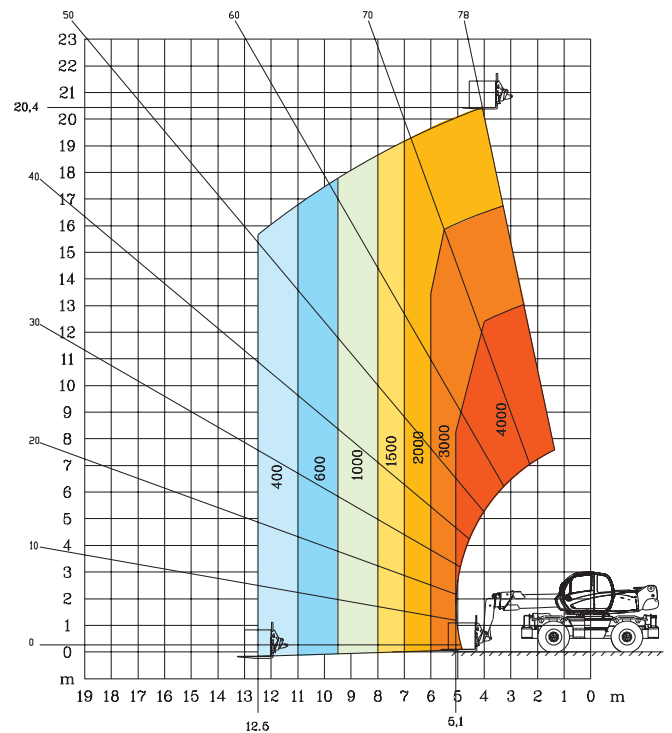
MRT 2150 + Privilege



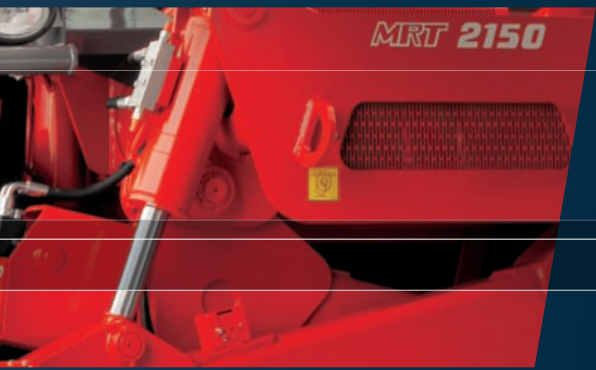
Rotation on extended stabilizers
with **forks**



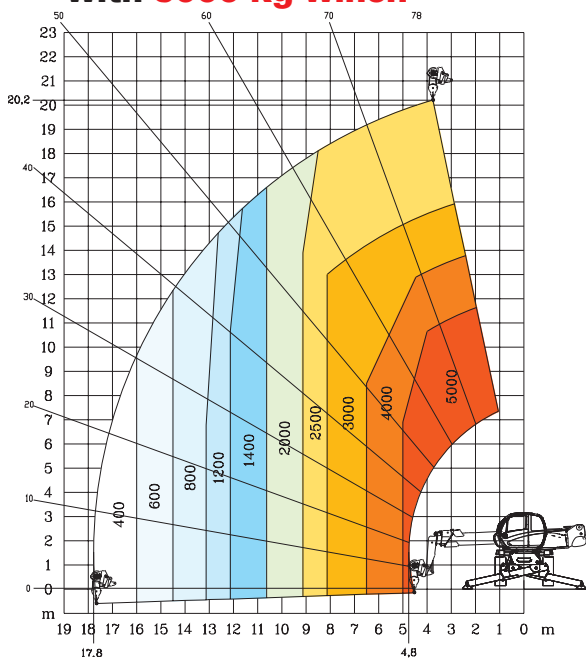
Frontal on wheels
with **forks**



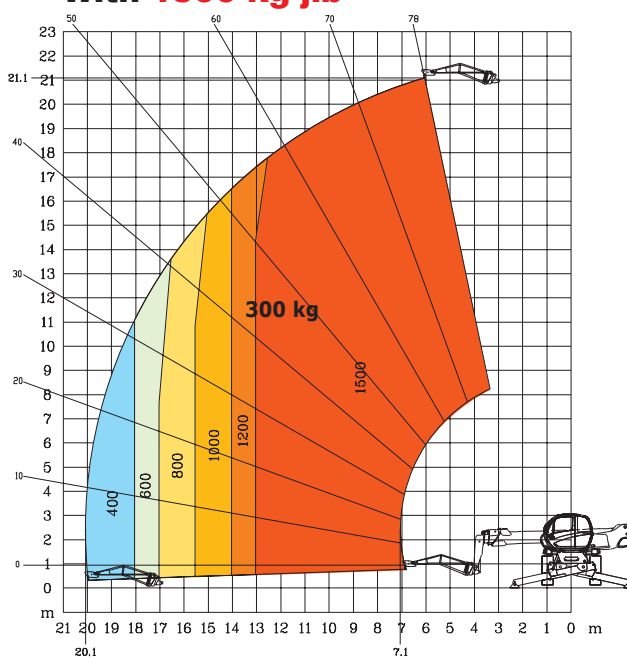
Rock-solid efficiency



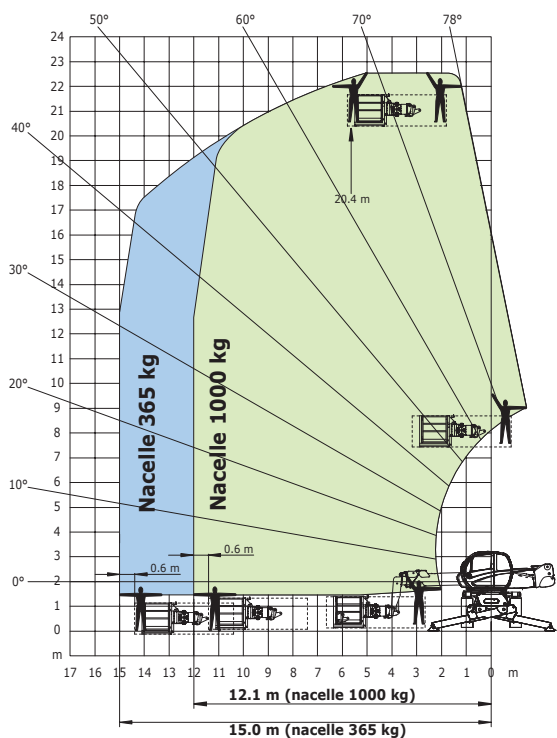
Rotation on extended stabilizers
with **5000 kg winch**



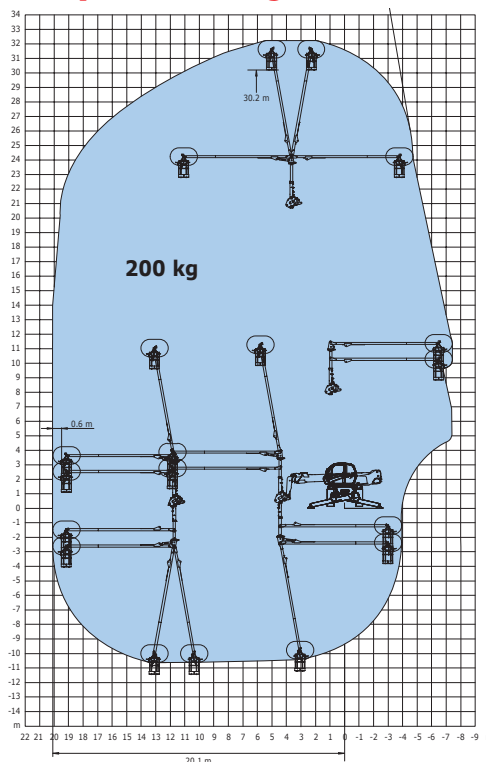
Rotation on extended stabilizers
with **1500 kg jib**



Rotation on extended stabilizers
with **365/1000 kg platform**



Rotation on extended stabilizers
3D positive/negative



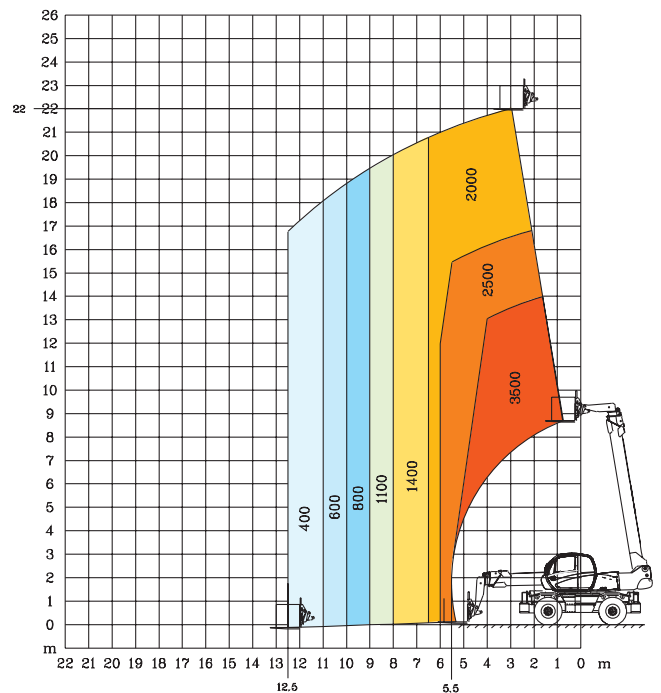
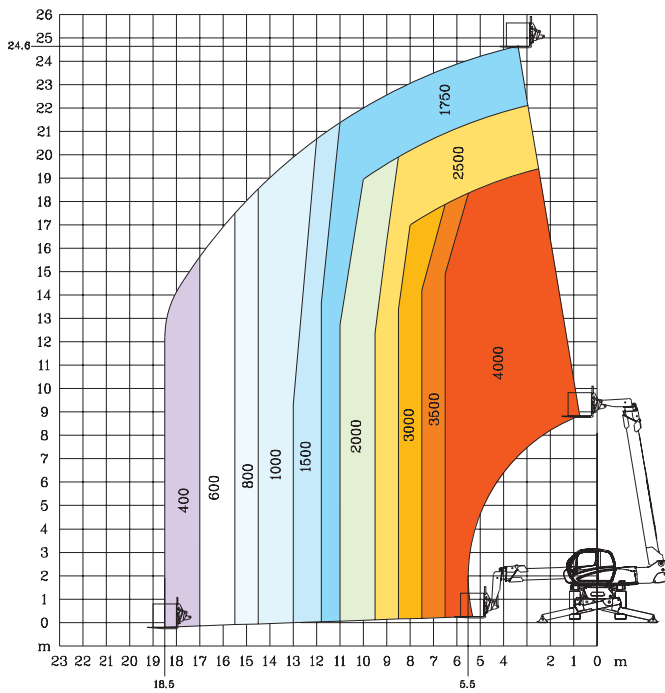
// MRT 2150 +

MRT 2540 + Privilege



Rotation on extended stabilizers
with **forks**

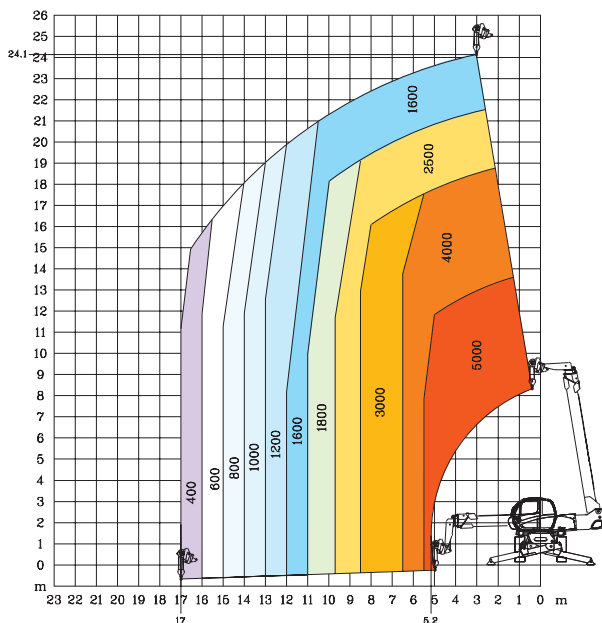
Frontal on wheels
with **forks**



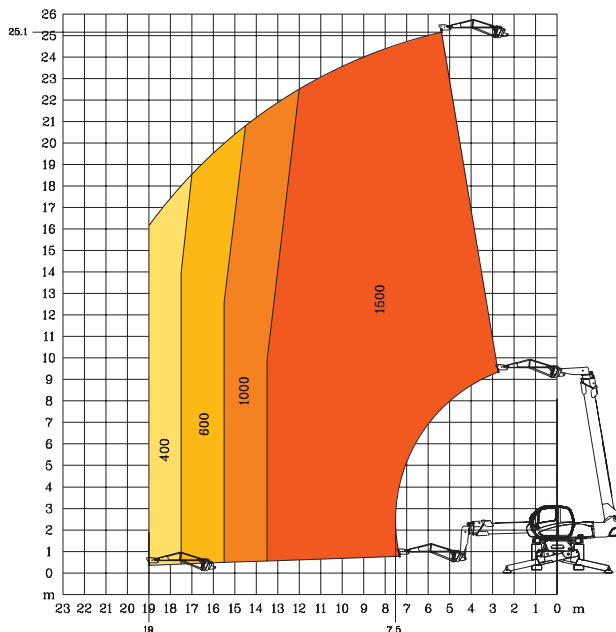
Rock-solid efficiency



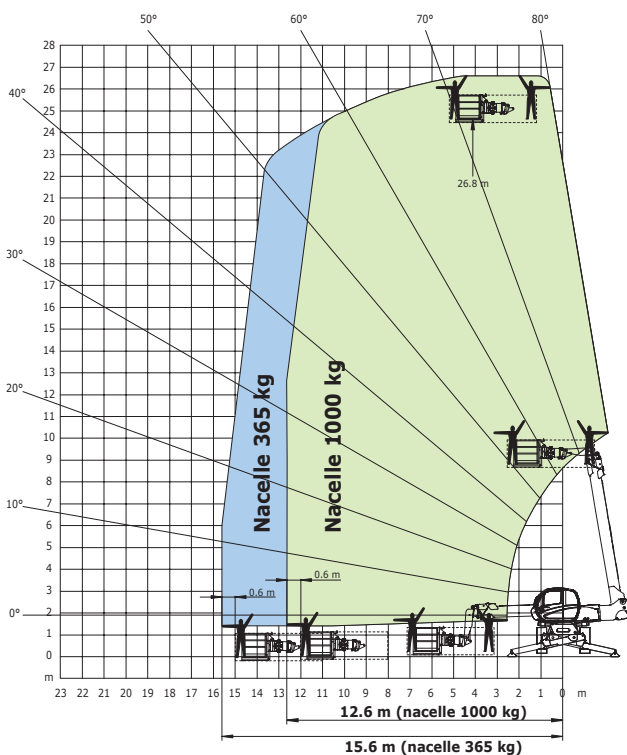
Rotation on extended stabilizers
with **5000 kg winch**



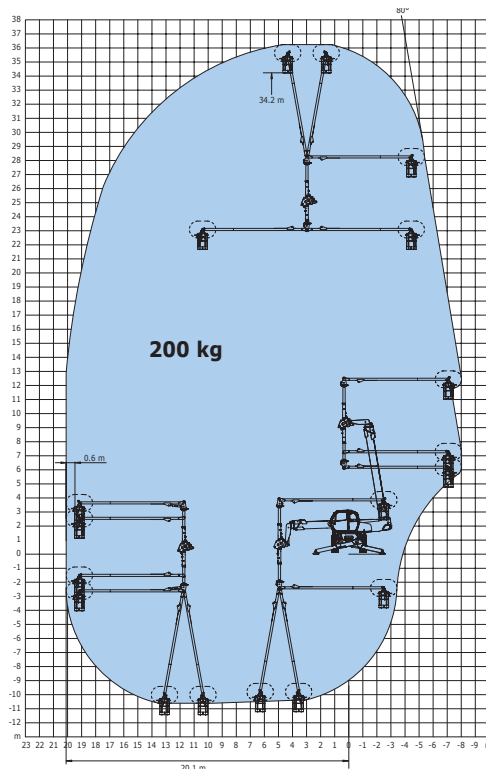
Rotation on extended stabilizers
with **1500 kg jib**



Rotation on extended stabilizers
with **365/1000 kg platform**



Rotation on extended stabilizers
3D positive/negative

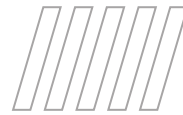


// MRT 2540 +

MANITOU...



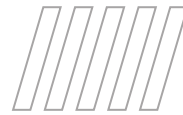
...FOR YOU



MANITOU...



...FOR YOU



Your nearest **MANITOU** dealer:



Head office:
B.P. 249 - 430 rue de l'Aubinière - 44158 Ancenis Cedex - France
Tel: 00 33 (0)2 40 09 10 11 - Fax: 00 33 (0)2 40 09 10 97
www.manitou.com